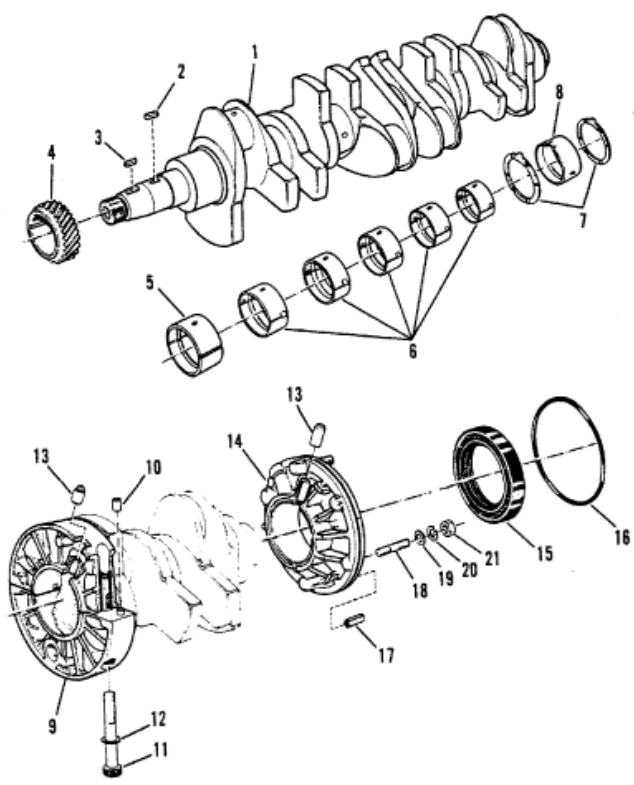


CRANKSHAFT



Parts List						
Ref	Class	Part	Description	Qty	Comment	Footnote
1	486	816782	CRANKSHAFT	1		
2	28	801331642	KEY	1		
3	28	801331705	KEY	1		
4	43	801331643	GEAR	1		
5	23	811376	BUSHING (STANDARD)	1		
5	23	811377	BUSHING (.25MM)	AR		3
5	23	811378	BUSHING (.50MM)	AR		3
6	23	801331631	BEARING (STANDARD)	5		
6	23	801331632	BEARING (.25MM)	AR		3
6	23	801331633	BEARING (.50MM)	AR		3
7	12	801331639	THRUST WASHER (STANDARD)	2		
7	12	801331640	THRUST WASHER (.10MM)	AR		3
7	12	801331641	THRUST WASHER (.20MM)	AR		3
8	23	801331635	BUSHING (STANDARD)	1		
8	23	801331636	BUSHING (.25MM)	AR		3
8	23	801331637	BUSHING (.50MM)	AR		3
9		811379	FRONT FLANGE	5		
10	17	801331647	PIN	10		
11	10	811382	SCREW	10		
12	13	809932110	LOCKWASHER	10		
13		811381	NOZZLE	6		
14		811380	REAR FLANGE	1		
15	26	811385	SEAL	1		
16	25	801331654	O-RING	1		
17	17	809941485	PIN	1		
18	16	811383	STUD	6		
19	12	809931067	WASHER	6		
20	13	811384	LOCKWASHER	6		
21	11	40021	NUT	6		